

CRES
Exposed Single Lever
Shower Mixer

Features

- Experience sharp-lined smart design exclusively with the CRES series, where modern aesthetics enhance functionality.

Specifications

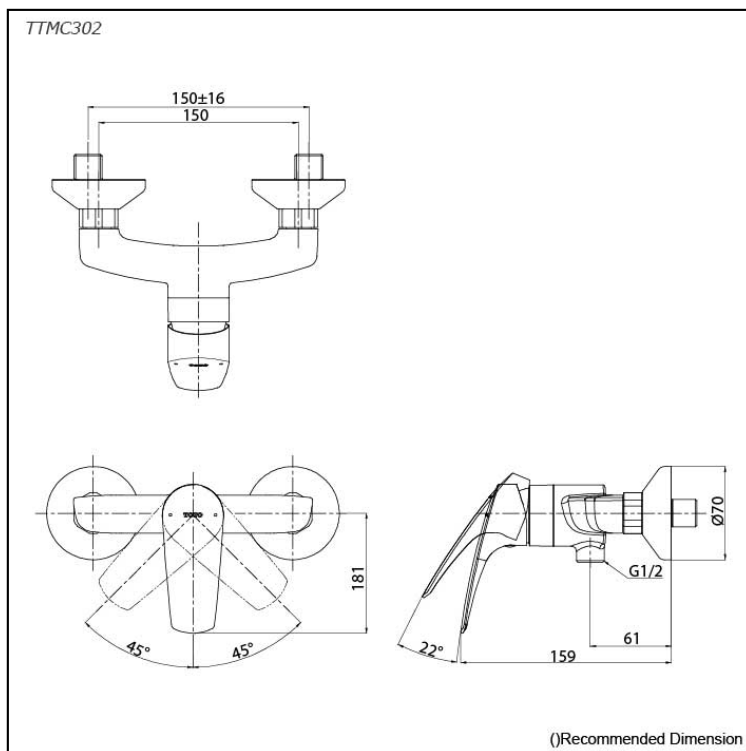
Water Pressure: 0.05MPa~0.75MPa

Finish: Nickel Chrome

Material: Brass

Parts description

- **TTMC302**
Exposed Single Lever Shower Mixer



Flow Rate

TTMC302

