

CRES
Single Lever
Shower Mixer



Features

- Experience sharp-lined smart design exclusively with the CRES series, where modern aesthetics enhance functionality.

Specifications

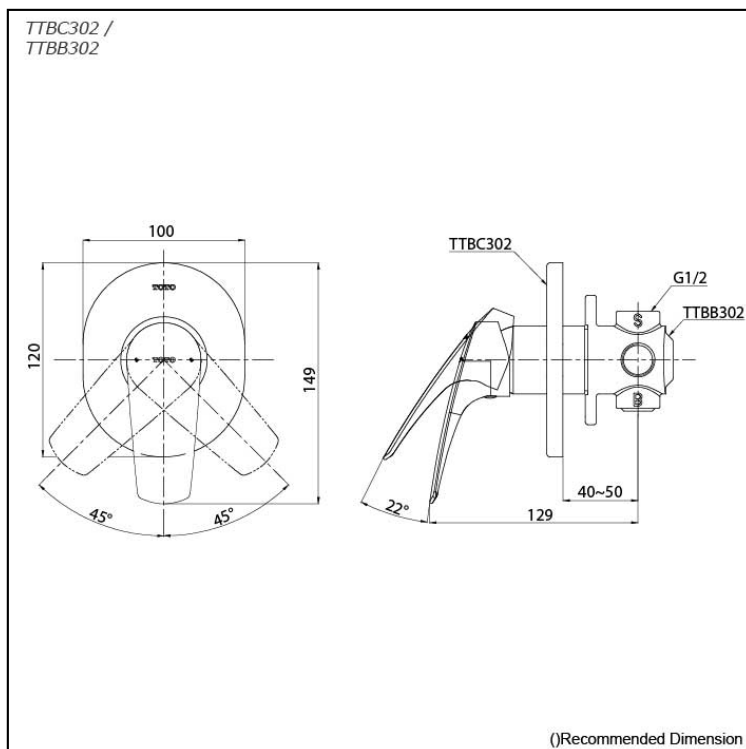
Water Pressure: 0.05MPa~0.75MPa

Finish: Nickel Chrome

Material: Brass

Parts description

- TTBC302 /
TTBB302
Single Lever Shower Mixer



Flow Rate

TTBC302 /
TTBB302

