

LN Series
Single Lever Lavatory Faucet
(w/ Pop-up Waste)



Features

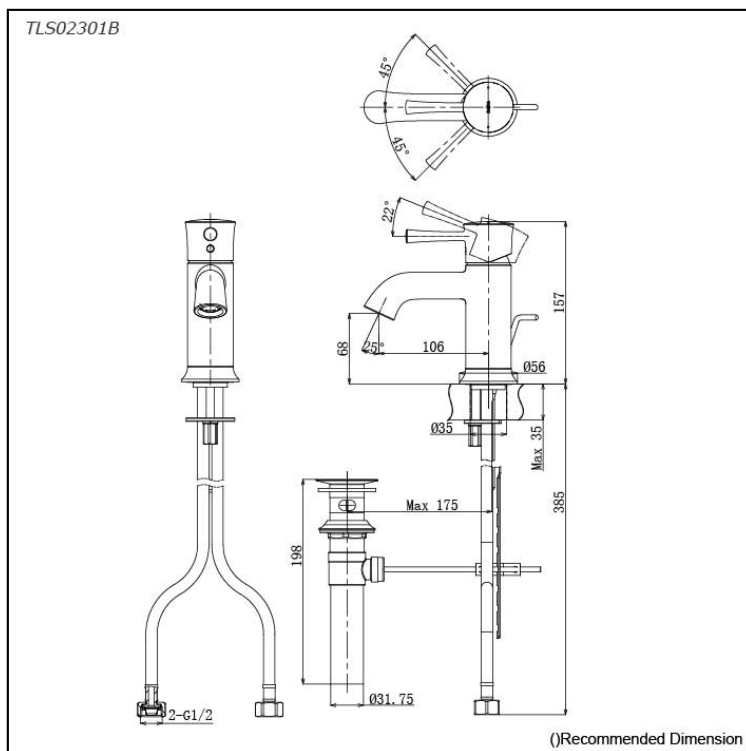
- Experience the perfect blend of modern design and nostalgic charm, where contemporary style meets timeless sophistication.
- High corrosion resistance plating.
- TOTO original cartridge for smooth control

Specifications

Finish: Chrome
Material: Brass
Water Pressure: 0.05MPa~1.0MPa

Parts description

- **TLS02301B**
Single Lever Lavatory Faucet (w/ Pop-up Waste)



Flow Rate

TLS02301B

