

LB Series
Single Lever Lavatory Faucet
(w/o Pop-up Waste)



Features

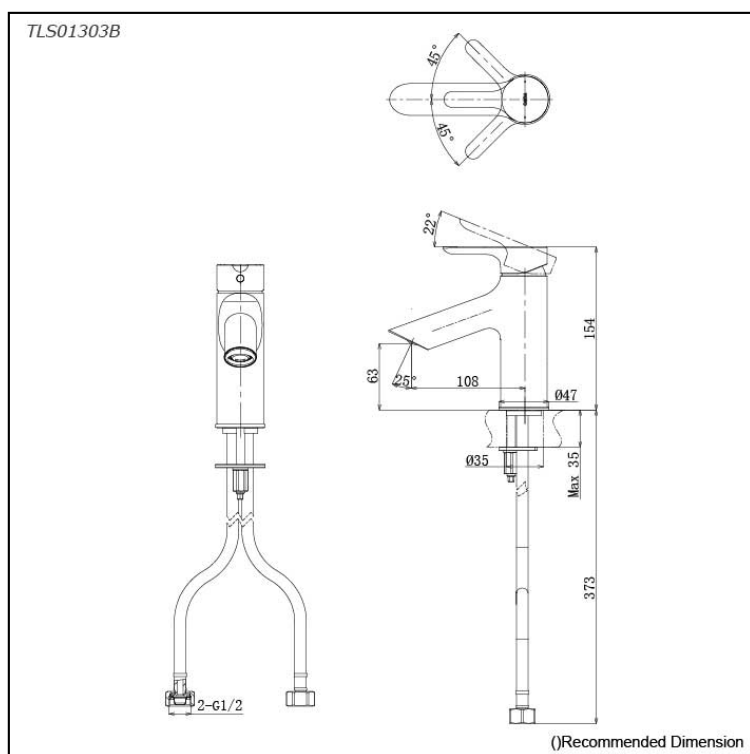
- Embrace the elegance of minimalist design, where geometric shapes intertwine with organic curves, creating a harmonious fusion that captivates the eye.
- High corrosion resistance plating.
- TOTO original cartridge for smooth control

Specifications

Finish: Chrome
Material: Brass
Water Pressure: 0.05MPa~1.0MPa

Parts description

- **TLS01303B**
Single Lever Lavatory Faucet (w/o Pop-up Waste)



Flow Rate

TLS01303B

