

ZN Series
Auto Faucet



Features

- Experience an innovative dual-sensor bathroom fixture with wave-like curves, offering splash-free water flow and hands-free operation for effortless temperature control. Enhance your bathroom with its striking aesthetic.
- Thermostat Controller: Precision in Comfort.
- Soft Flow Faucets: Gentle, Touchless Sensor Technology, Lustrous Water.

Specifications

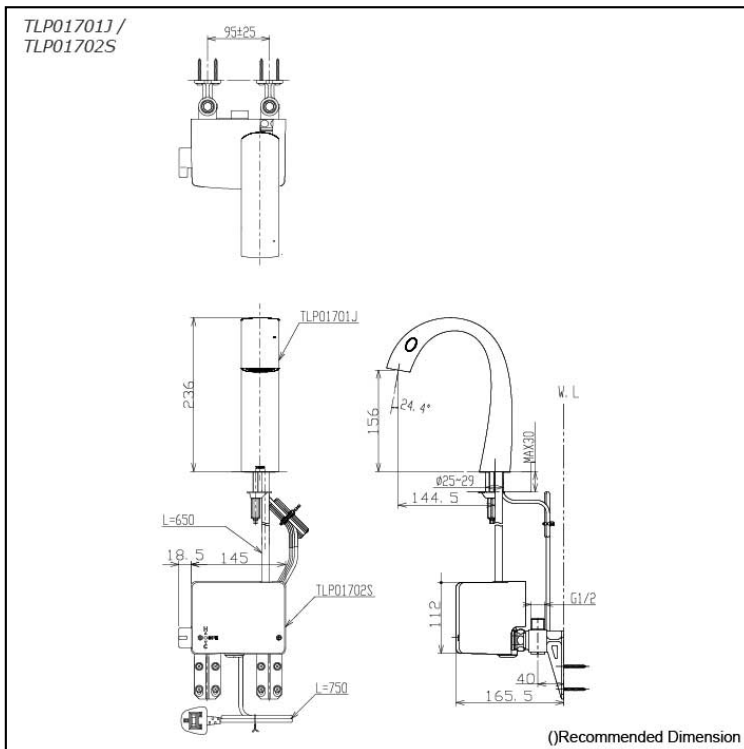
Material: Brass
Water Usage: 3.0L/min
Water Pressure: 0.05MPa~1.0MPa

Parts description

- **TLP01701J**
Auto Faucet (Spout Only)
- **TLP01702S**
AC100v~240v Operated Controller Plug - (Type-G)

Colors

TLP01701J #BN (Brushed Nickel)



Flow Rate

TLP01701J /
TLP01702S

