

CI CONTEMPORARY 2 Holes Lavatory Faucet



Features

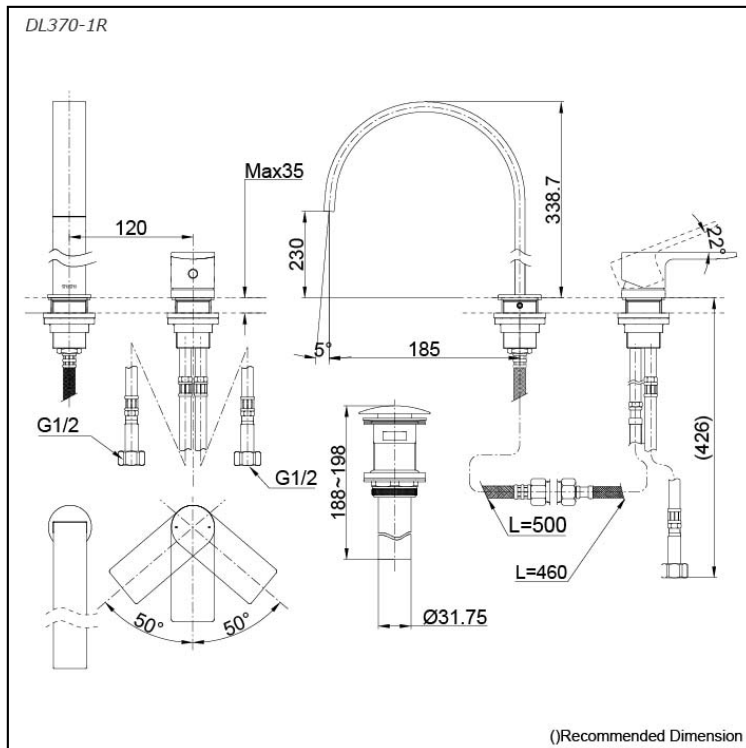
- The Contemporary collections encapsulate beauty and versatility in one harmonious form. They are perfectly suitable for private homes, as well as commercial spaces.

Specifications

Finish: Chrome
 Material: Brass
 Water Pressure: 0.05MPa~0.75MPa

Parts description

- DL370-1R**
2 Holes Lavatory Faucet W/ Pop-up Waste



Flow Rate

