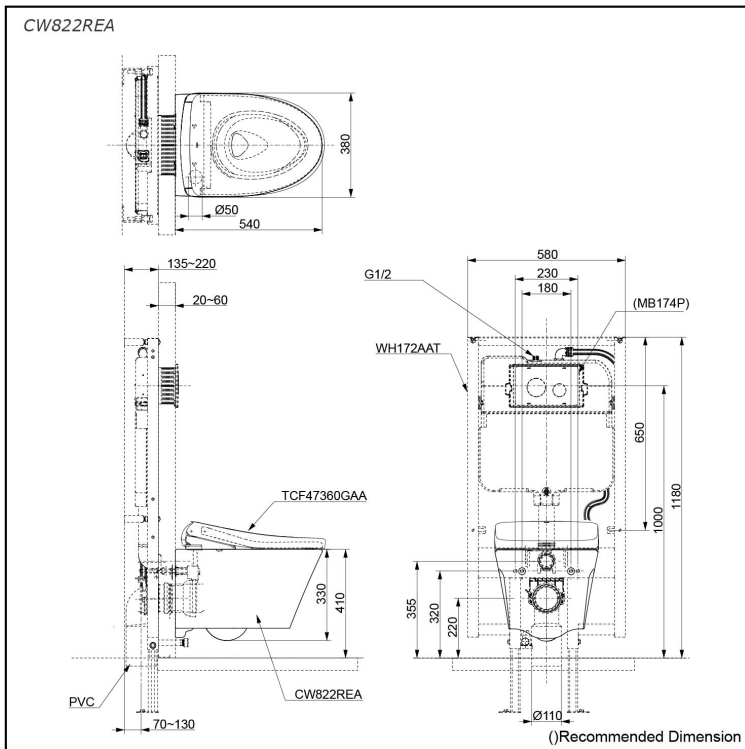


AP Series
WALL HUNG TOILET with
WASHLET S7



Features

- Introducing CEFIONTECT Technology: where super smooth surfaces and ion barrier glazing redefine cleanliness for every bathroom fixture.
- Experience the future of cleanliness with TORNADO FLUSH - Less water, powerful streams, 360-degree clean.
- Explore the seamless, easy-clean perfection of RIMLESS DESIGN.
- Experience unparalleled WATER SAVING efficiency paired with powerful flushing action.
- Dual Flush System.

Specifications

Flush system:	TORNADO FLUSH
Water Use:	4.5L / 3L
Rough-in:	H=220 mm
Bowl Shape:	Elongated
Water Pressure:	0.05MPa~0.75MPa
Size:	380Wx540Dx330H mm

Parts description

Stop Valve is **not** included.

- **CW822REA**
Elongated Wall Hung Closet Bowl (P-Trap) (Rough-in 220)
Wall Hung Toilet with Concealed feature, hiding all wiring inside the bowl

Optional Parts

- TCF47360GAA
WASHLET
- WH172AAT
Concealed Cistern w/Frame
- TCA546
Auto Flush kit
- WH172AT
Concealed Cistern w/Frame
- TCA465
Stop Valve Kit
- MB174P
Flush Panel

NOTE

- **DO NOT COUPLE THIS WC WITH FLUSH VALVE**

Colors

White