

Concealed Tank with Frame



### Features

- The concealed tank system offers a sleek, space-saving design by hiding the tank within the wall, enhancing bathroom aesthetics while ensuring efficient performance.
- Dual Flush System
- WATER SAVING

### Specifications

Water Use: 4.0L / 3.0L

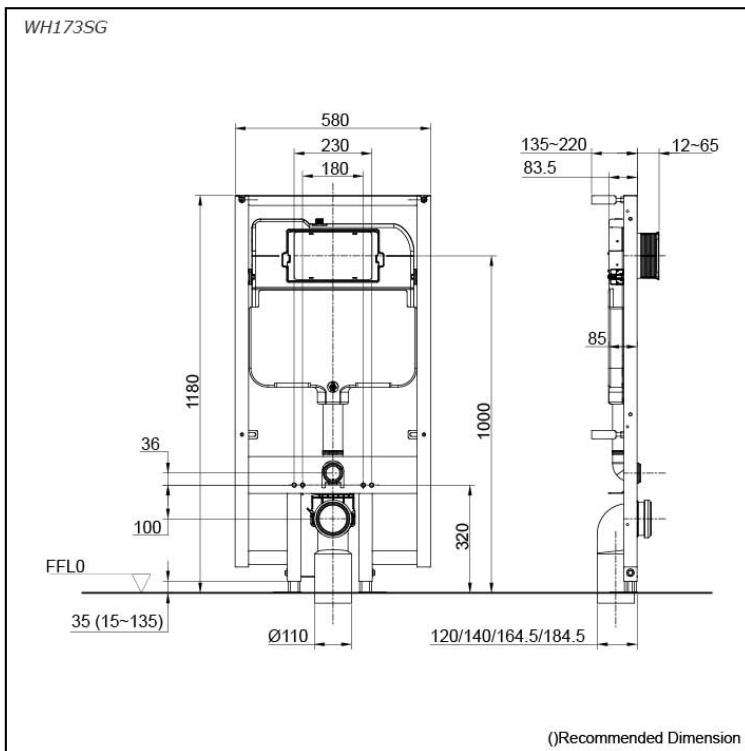
Water Pressure: 0.05MPa ~ 0.75MPa

### Parts description

- **WH173SG**  
Concealed Tank (4.0L / 3.0L)

#### Optional Parts

- MB176G  
Flush Panel
- MB175M  
Flush Panel
- MB171M  
Flush Panel
- MB174P  
Flush Panel
- MB170P  
Flush Panel



### Certifications

