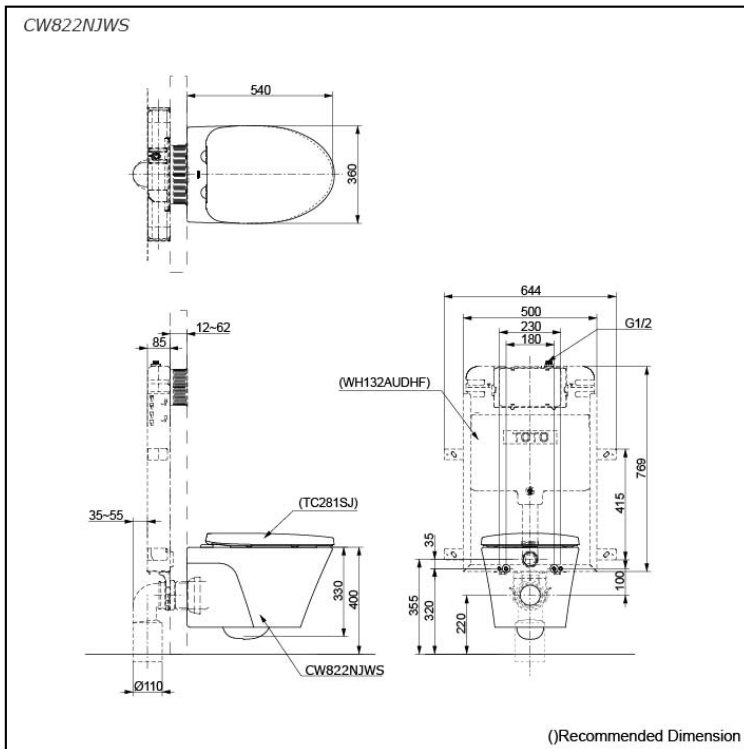


AVANTE WALL HUNG TOILET



Features

Specifications

| | |
|-----------------|-------------------|
| Flush system: | Wash Down |
| Water Use: | 4.5L / 3L |
| Rough-in: | H=220 mm |
| Bowl Shape: | Elongated |
| Water Pressure: | 0.05MPa~0.75MPa |
| Size: | 360Wx540Dx330H mm |

Parts description

Seat & Cover is **not** included.

- **CW822NJWS**
Elongated Wall Hung Closet Bowl (P-Trap)
(Rough-in 220)

Optional Parts

- WH132AUDHF
Concealed Cistern w/ Half Frame
- TC281SJ
Soft close Seat & Cover
- MB174P
Flush Panel

Colors

White

Certifications

