

ZL Series
Bath Spout



Features

- Ultra-thin edges and a luminous, mirror surface create a delicate contrast, showcasing advanced design. Engineered to complement sharp-edged basins, these faucets bring a modern, sophisticated edge to your bathroom.

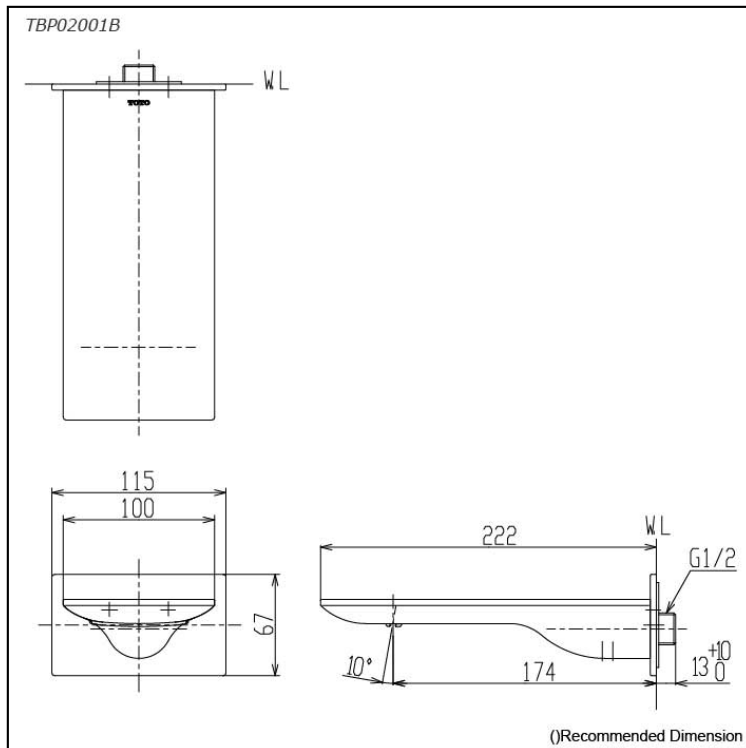
Specifications

Material: Brass

Water Pressure: 0.05MPa~1.0MPa

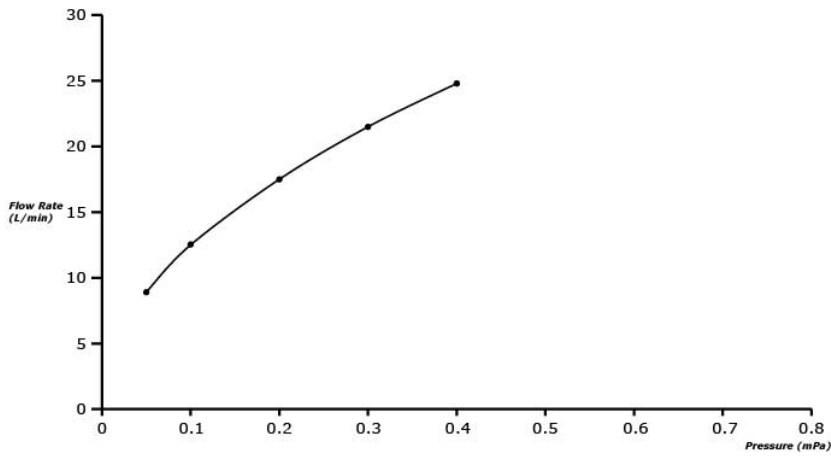
Parts description

- **TBP02001B**
Bath Spout



Flow Rate

TBP02001B + TBP02301B



Flow Rate

TBP02001B + TBP02302B

