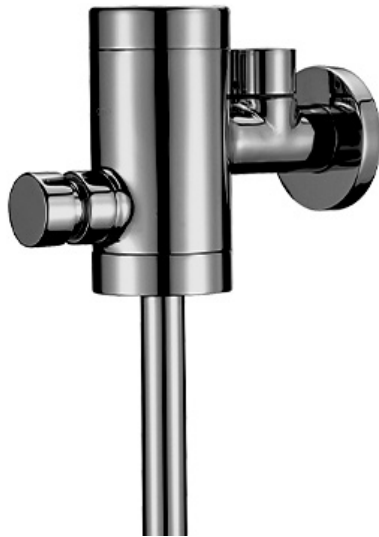


Urinal Flush Valve
(Manual)



Features

- The sensor flush valve combines hands-free convenience with manual control, enhancing restroom hygiene and functionality. It automatically activates with movement and allows for manual operation, ensuring an efficient and versatile solution.

Specifications

Water Pressure: 0.07MPa ~ 0.75MPa

Flush Volume: 2.5L

Parts description

- TX501U**
Urinal Flush Valve (Manual)

