

CRES
 Wall Mount Single Lever Lavatory Faucet
 (w/o Pop-up Waste)



Features

- Experience sharp-lined smart design exclusively with the CRES series, where modern aesthetics enhance functionality.

Specifications

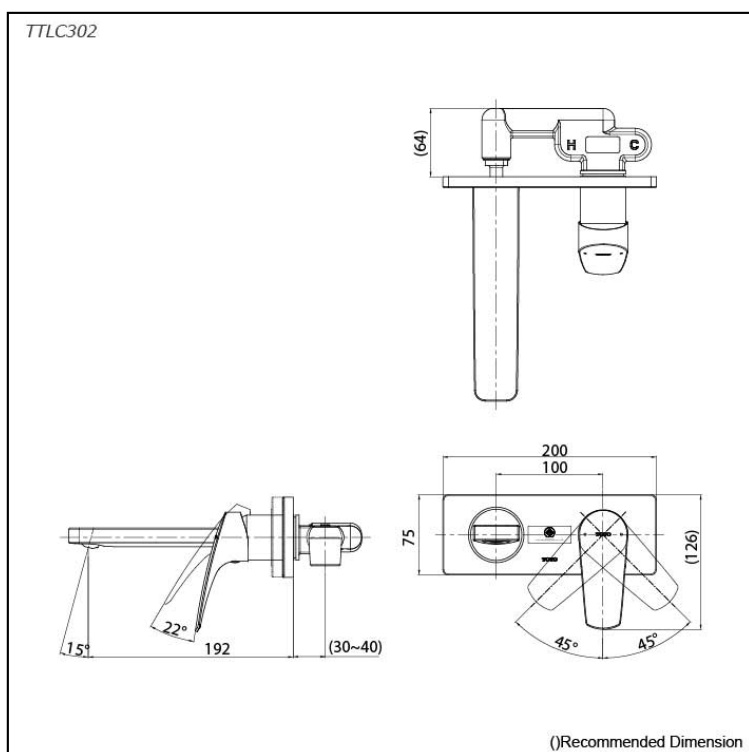
Water Pressure: 0.05MPa~0.75MPa

Finish: Nickel Chrome

Material: Brass

Parts description

- **TTLC302**
 Wall Mount Single Lever Lavatory Faucet
 w/o Pop-Up Waste



Flow Rate

TTL302

