

**CRES**  
*Single Lever Lavatory Faucet  
 (Semi-tall) (w/o Pop-up Waste)*



### Features

- Experience sharp-lined smart design exclusively with the CRES series, where modern aesthetics enhance functionality.

### Specifications

Water Pressure: 0.05MPa~0.75MPa

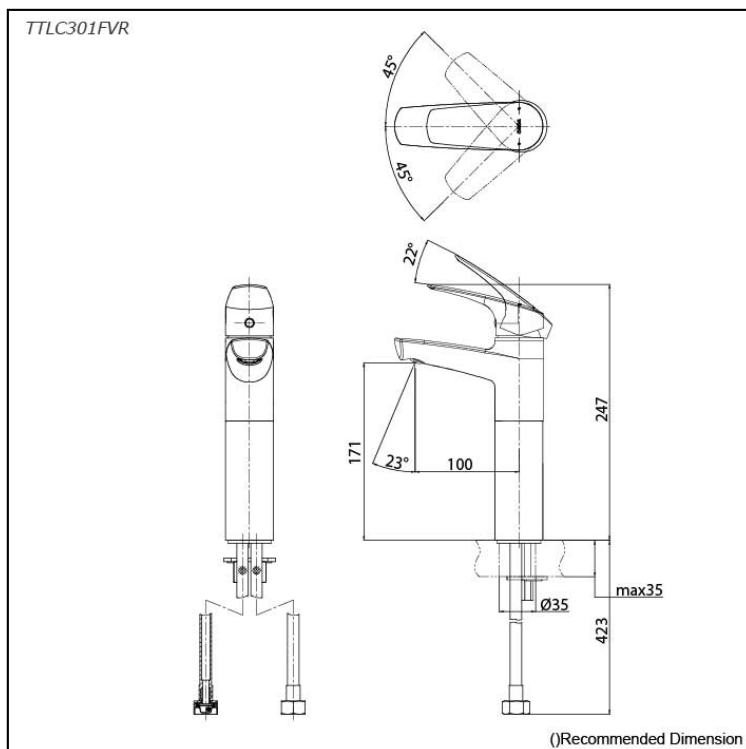
Hole: 1 hole

Finish: Nickel Chrome

Material: Brass

### Parts description

- **TTL301FVR**  
 Single Lever Lavatory Faucet w/o Pop-Up Waste



### Flow Rate

TTL301FVR

