

**CRES**  
 Single Lever Lavatory Faucet  
 (Semi-tall) (w/ Pop-up Waste)



### Features

- Experience sharp-lined smart design exclusively with the CRES series, where modern aesthetics enhance functionality.

### Specifications

Water Pressure: 0.05MPa~0.75MPa

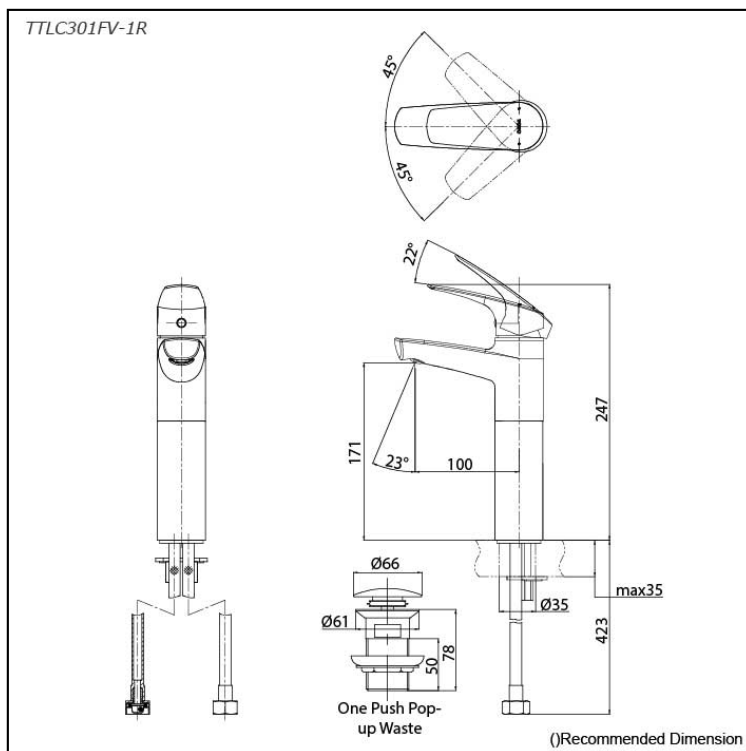
Hole: 1 hole

Finish: Nickel Chrome

Material: Brass

### Parts description

- **TTLC301FV-1R**  
 Single Lever Lavatory Faucet w/ Pop-Up Waste



# Flow Rate

TTL301FV-1R

