

CRES
Single Lever Lavatory Faucet
(w/ Pop-up Waste)



Features

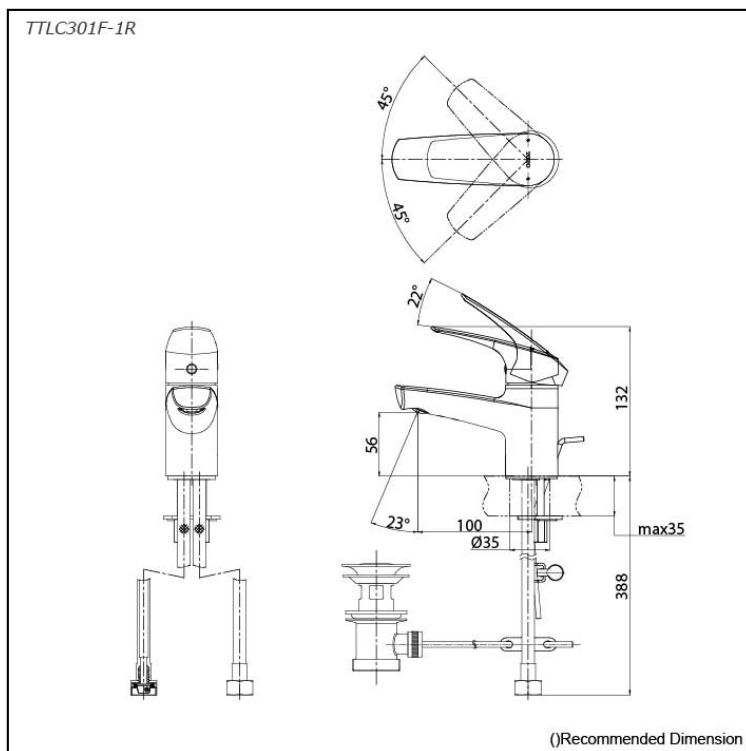
- Experience sharp-lined smart design exclusively with the CRES series, where modern aesthetics enhance functionality.

Specifications

Finish:	Nickel Chrome
Hole:	1 hole
Material:	Brass
Water Pressure:	0.05MPa ~ 0.75MPa

Parts description

- TTL301F-1R
Single Lever Lavatory Faucet
(w/ Pop-up Waste)



Flow Rate

TTL301F-1R

