

CRES
Single Lever Bath and
Shower Mixer w/ Diverter



Features

- Experience sharp-lined smart design exclusively with the CRES series, where modern aesthetics enhance functionality.

Specifications

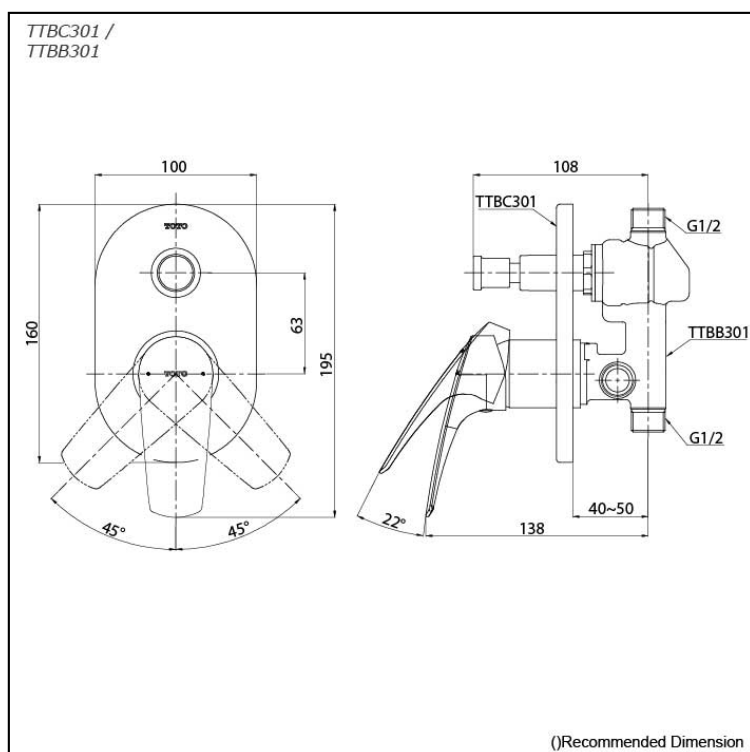
Water Pressure: 0.05MPa~0.75MPa

Finish: Nickel Chrome

Material: Brass

Parts description

- **TTBC301 / TTBB301**
Single Lever Bath and Shower Mixer w/ Diverter



Flow Rate

TTBC301 /
TTBB301

