

LC Series
Single Lever Lavatory Faucet
(w/o Pop-up Waste)



Features

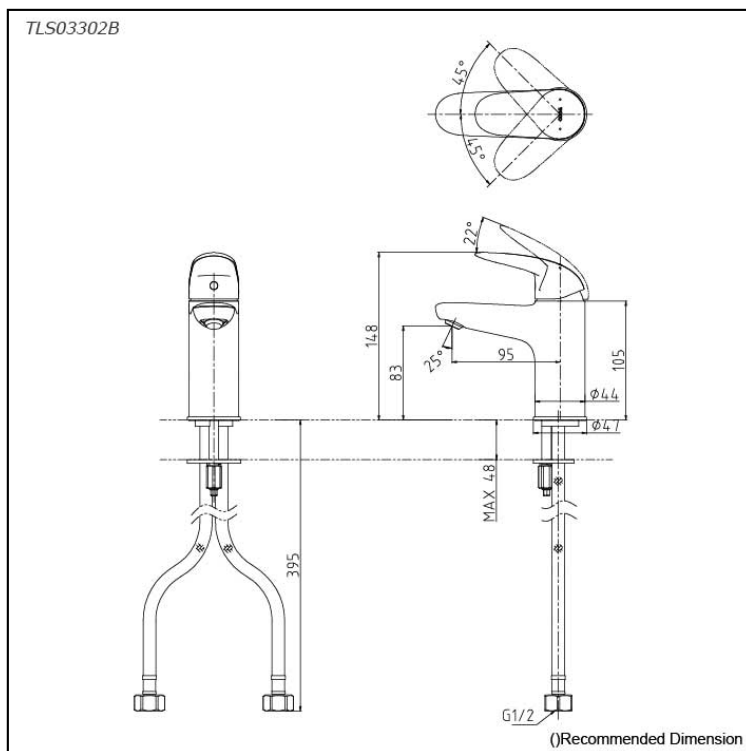
- Experience the beauty of flowing curves, where a lovingly designed handle enhances both aesthetics and comfort for enduring use.
- High corrosion resistance plating.
- TOTO original cartridge for smooth control

Specifications

Finish: Chrome
Material: Brass
Water Pressure: 0.05MPa~1.0MPa

Parts description

- **TLS03302B**
Single Lever Lavatory Faucet (w/o Pop-up Waste)



Flow Rate

TLS03302B

