

*LB Series  
Single Lever Lavatory Faucet  
(w/ Pop-up Waste)*



### Features

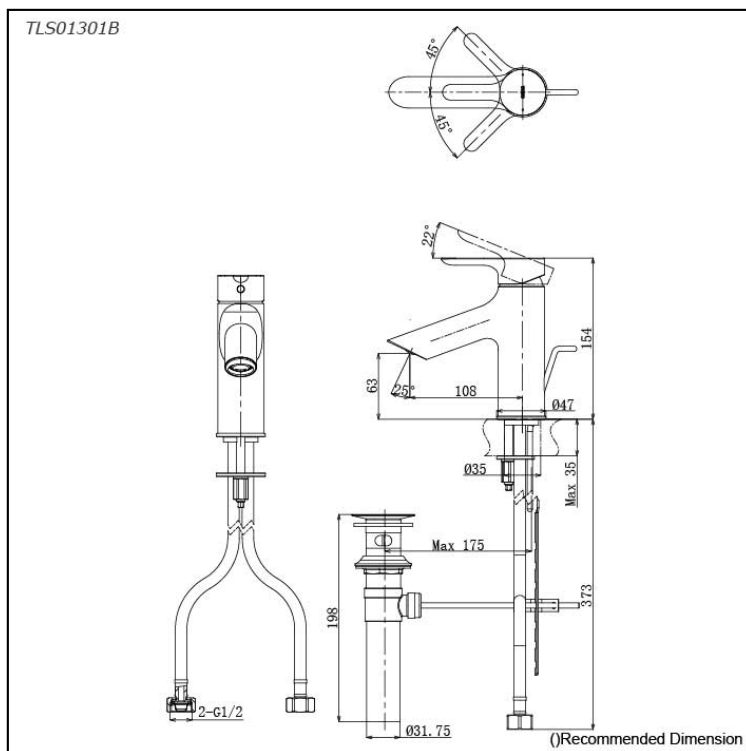
- Embrace the elegance of minimalist design, where geometric shapes intertwine with organic curves, creating a harmonious fusion that captivates the eye.
- High corrosion resistance plating.
- TOTO original cartridge for smooth control

### Specifications

Finish: Chrome  
Material: Brass  
Water Pressure: 0.05MPa~1.0MPa

### Parts description

- **TLS01301B**  
Single Lever Lavatory Faucet (w/ Pop-up Waste)



### Flow Rate

TLS01301B

