

NEOREST RS Luxurious Smart Toilet



Features

- Introducing CEFIONTECT Technology: where super smooth surfaces and ion barrier glazing redefine cleanliness for every bathroom fixture.
- Experience the future of cleanliness with TORNADO FLUSH - Less water, powerful streams, 360-degree clean.
- EWATER+ keeps toilet bowl and nozzle clean by preventing bacterial with sanitizing effect
- Harness the power of PREMIST - a fine mist to repel dirt, ensuring a consistently clean toilet experience.
- Explore the seamless, easy-clean perfection of RIMLESS DESIGN.
- Experience unparalleled WATER SAVING efficiency paired with powerful flushing action.
- Simplify Your Routine - Effortless Automatic Operation: Seat & Lid opens, closes, and Toilet flushes with sensor ease
- Keep your bathroom fresh with the Auto Powerful DEODORIZER - it activates after every use to ensure a clean, odor-free environment.
- Luxuriate in the comfort of a HEATED SEAT with customizable temperature control
- Gentle Warmth, Perfectly Personalized - Adjustable WARM AIR DRYING
- Hybrid Ecology System: Optimal Water Efficiency with Dynamic Performance.
- Self-cleaning wand for ultimate convenience.

Specifications

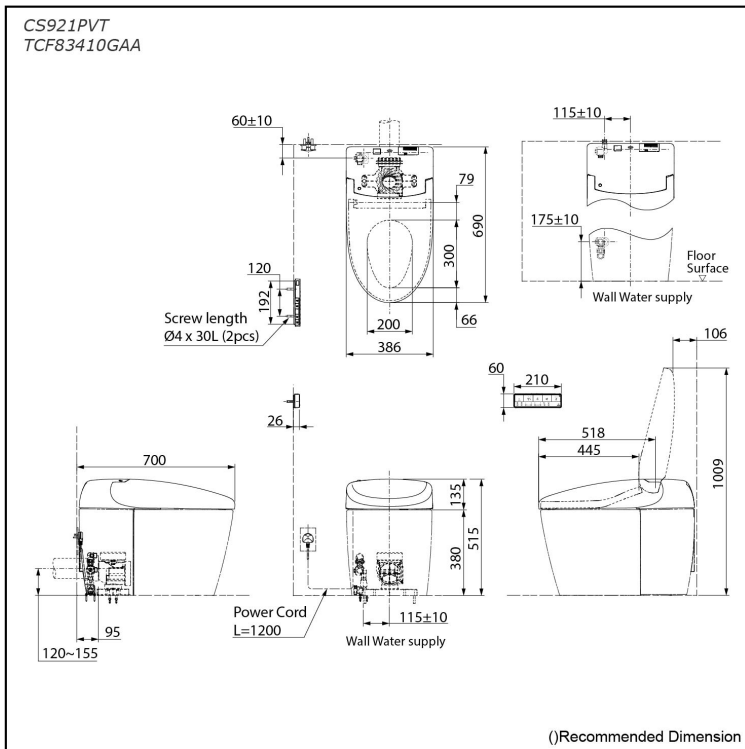
Flush system:	TORNADO FLUSH
Water Use:	4.5L / 3.0L
Rough-in:	120~155 mm
Bowl Shape:	Elongated
Water Pressure:	0.05MPa~0.75MPa
Power Rating:	220~240V, 50/60Hz, 843~852W
Length of Power Cord:	1.2 m
Material:	Bowl -Vitreous China Seat & Cover -Plastic Remote Controller -Plastic
Size:	386Wx690Dx515H mm

Parts description

- CS921PVT Water Closet Bowl (P-Trap) (Rough-in 120~155)
- TCF83410GAA WASHLET unit

Colors

White (#NW1)



Important Note

- Do not use other water than allowed by the laws and ordinances of the region of use. Only use portable water.

Do not use seawater or recycled water.

- This is an electrical product. Do not install it anywhere water is likely to get on the product or anywhere with humidity high enough that water is likely to form on the surface of this product. When using the product in a bathroom, install a fan or ventilation port and ensure good air flow through the bathroom.
- If the controller is not being used over a certain period of time, the batteries in the controller are highly recommended to be removed. Batteries in the remote controller are recommended to be replaced on a yearly basis.
- The following factors may affect IR signal strength and top unit operation: product and remote control location, room size, shape, construction materials, and degree of darkness (color) of ceiling and walls.