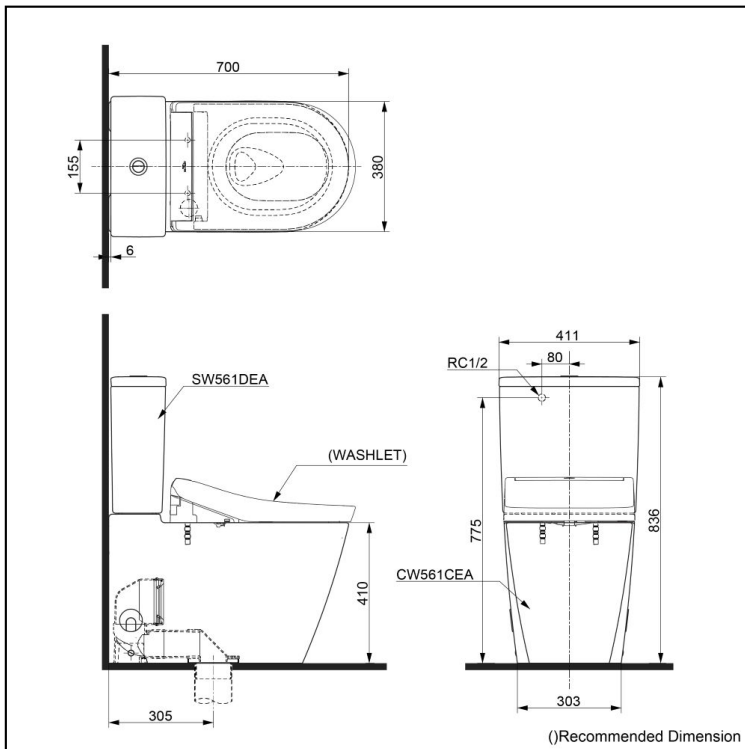


RP Series
CLOSE COUPLED TOILET with
WASHLET S5



Features

- Introducing CEFIONTECT Technology: where super smooth surfaces and ion barrier glazing redefine cleanliness for every bathroom fixture.
- Experience the future of cleanliness with TORNADO FLUSH - Less water, powerful streams, 360-degree clean.
- EWATER+ spreads out and keeps the nozzle clean by preventing bacteria with sanitizing effect
- Harness the power of PREMIST - a fine mist to repel dirt, ensuring a consistently clean toilet experience.
- Explore the seamless, easy-clean perfection of RIMLESS DESIGN.
- Experience unparalleled WATER SAVING efficiency paired with powerful flushing action.
- Keep your bathroom fresh with the Auto Powerful DEODORIZER - it activates after every use to ensure a clean, odor-free environment.
- Luxuriate in the comfort of a HEATED SEAT with customizable temperature control
- Gentle Warmth, Perfectly Personalized - Adjustable WARM AIR DRYING
- Dual Flush System.
- Modern back-to-wall toilet with a simple, easy-to-clean design for improved hygiene.
- Comprehensive Comfort: Includes Rear, Front, and Oscillating Cleansing Functions, with Added Pulsating Cleansing for Enhanced Cleanliness.
- Self-cleaning wand for ultimate convenience.

Specifications

Flush system:	TORNADO FLUSH
Water Use:	4.5L / 3L
Rough-in:	305 mm
Bowl Shape:	D-Shape
Water Pressure:	0.05MPa-0.70MPa
Size:	411Wx700Dx836H mm

Parts description

Cover, fixing set and slip-in connector are included.

- **CW561CEA**
D-Shape Close Coupled Toilet (S-Trap)
(Rough-in 305)
- **SW561DEA**
Tank & Lid w/ Tank Trim

Optional Parts

- TCF34570GAU
WASHLET

Colors

White

Certifications

