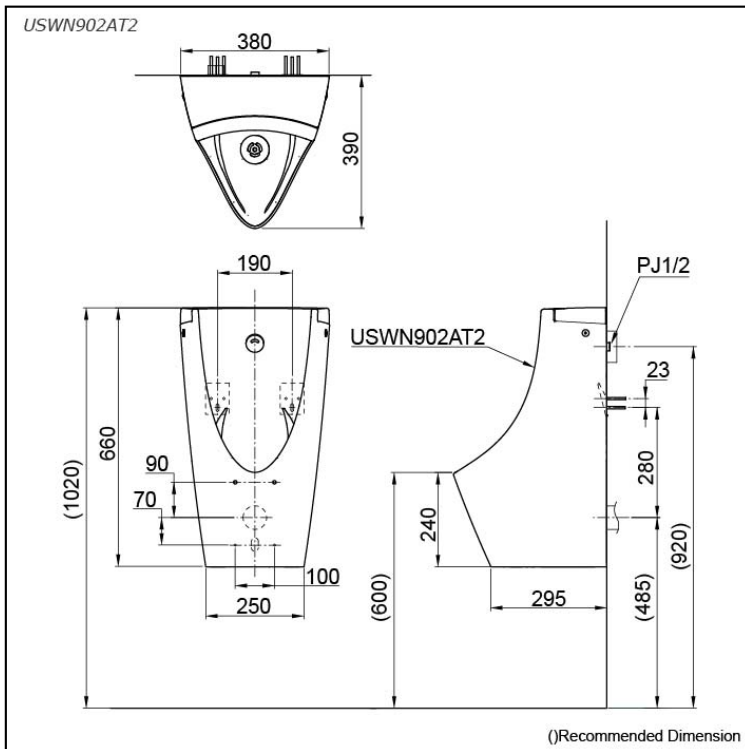


Wall Hung Urinal  
w/ Built-in Sensor



### Features

- Designed for efficiency and hygiene, these urinals offer space-saving functionality and ease of use, providing a practical solution for public restrooms while promoting cleanliness and convenience.
- Introducing CEFIONTECT Technology: where super smooth surfaces and ion barrier glazing redefine cleanliness for every bathroom fixture.
- Experience ultimate convenience with our Automatic Operation, offering effortless performance and streamlined functionality.

### Specifications

Flush Volume: 0.5L

Size: 380W x 390D x 660H mm

Water Pressure: 0.07MPa ~ 0.75MPa

Power Supply: Battery Operated

### Parts description

Fittings included

- **USWN902AT2**  
Wall Hung Urinal Back Inlet Type  
w/ Built-in Sensor

### Colors

White #XW

### Certifications



**EPD**  
INTERNATIONAL EPD SYSTEM