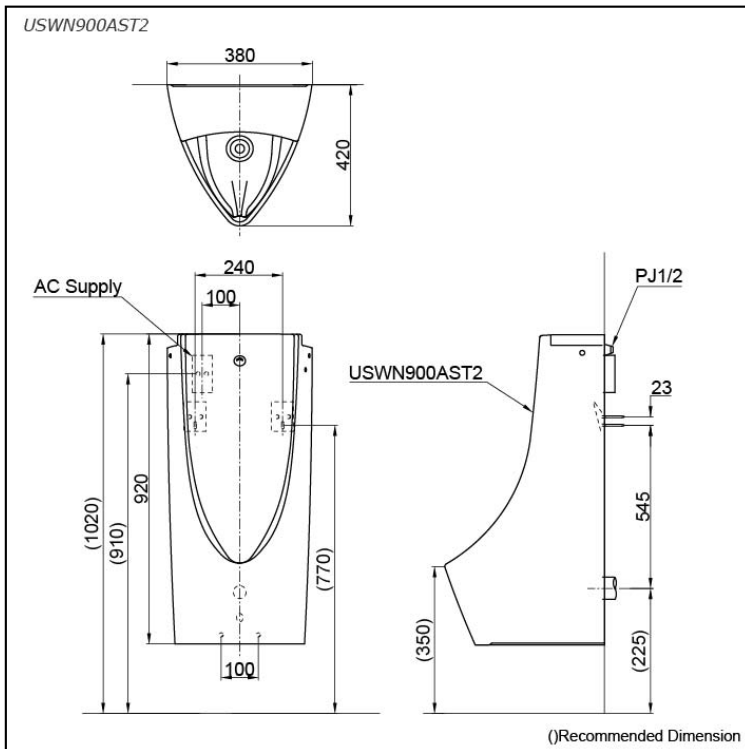


Wall Hung Urinal
w/ Built-in Sensor



Features

- Designed for efficiency and hygiene, these urinals offer space-saving functionality and ease of use, providing a practical solution for public restrooms while promoting cleanliness and convenience.
- Introducing CEFIONTECT Technology: where super smooth surfaces and ion barrier glazing redefine cleanliness for every bathroom fixture.
- Transformative power of EWATER+ - pioneering hygiene that sanitizes and protects, ensuring lasting cleanliness for your entire toilet environment
- Experience ultimate convenience with our Automatic Operation, offering effortless performance and streamlined functionality.

Specifications

Flush Volume: 0.5L

Size: 380W x 420D x 920H mm

Water Pressure: 0.07MPa ~ 0.75MPa

Power Supply: AC220-240V, 50/60Hz

Parts description

Fittings included

- **USWN900AST2**
Wall Hung Urinal Back Inlet Type
w/ Built-in Sensor & E-WATER+ feature

Colors

White

Certifications

