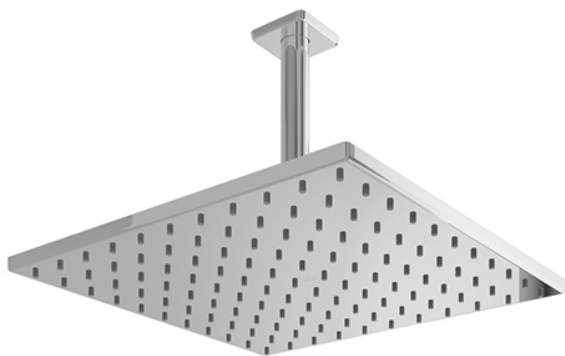


Fixed Shower Head
(Ceiling Type)



Features

- Elevate your shower experience with our fixed shower heads, designed for sleek aesthetics and reliable performance, ensuring a refreshing and enjoyable bathing routine.

Specifications

Water Pressure: 0.05 Mpa ~ 1.0 Mpa

Shape: Square

Size: 300mm x 300mm

Parts description

- TX491SI-6L**
Fixed Shower Head (Ceiling Type)

Certifications

